



BB-1001WPRA
with
RAM-1032TZDS-CC
(sold separately)

BB-1001WPA
with RAM-1032TZDS-CC
(sold separately)

Features

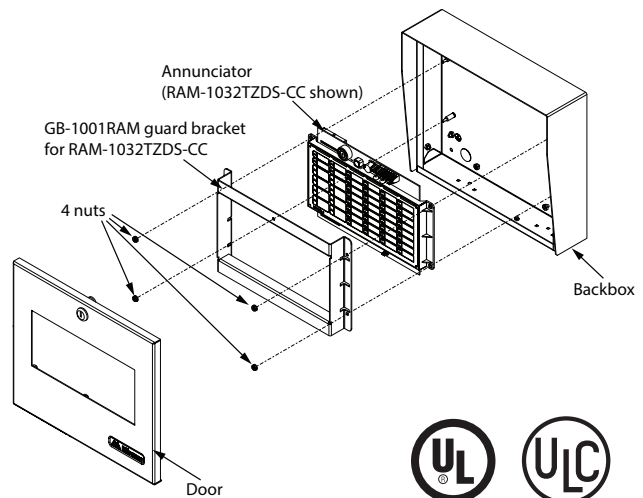
- Weather Protected, for both indoor and outdoor applications
- White or red semi-gloss finishing, and black back box
- Lexan sealed window, to protect against the challenges of an outdoor application
- Easy to install with 2 Knockouts for wiring, with 7/8" diameter
- For surface mount applications

Specifications

Dimensions	Height: 11-11/32" Width: 13" Depth: 3.5"
Rated for Outdoor Environment Wet Location	+66°C to -40°C 95% R.H. @60°C

Description

The BB-1001WP(R)A comes complete with a backbox, door and hinge. The enclosure door comes with a strong Lexan sealed window, two keys and a durable lock at the top of the door. The door comes hinged to the bottom side of the box. The box is capable of handling one RAM-1032TZDS-CC Main Annunciator Chassis which provides up to 32 points of annunciation. RAM-1032TZDS-CC are ordered separately to match the UL, ULC installation requirements.



Ordering Information

Model	Description
BB-1001WPA	Weather Protected Enclosure - White
BB-1001WPRA	Weather Protected Enclosure - Red
RAM-1032TZDS-CC	32 Zone Remote LED Annunciator with Trouble LED's
GB-1001RAM	Guard bracket for RAM-1032TZDS, Black

Canada

25 Interchange Way Vaughan, ON L4K 5W3
Telephone: (905) 660-4655 | Fax: (905) 660-4113

U.S.A.

4575 Witmer Industrial Estates Niagara Falls, NY 14305
Toll Free: (888) 660-4655 | Fax Toll Free: (888) 660-4113

www.mircom.com



THIS INFORMATION IS FOR MARKETING PURPOSES ONLY AND NOT INTENDED TO DESCRIBE THE PRODUCTS TECHNICALLY.

For complete and accurate technical information relating to performance, installation, testing and certification, refer to technical literature. This document contains intellectual property of Mircom. The information is subject to change by Mircom without notice. Mircom does not represent or warrant correctness or completeness.