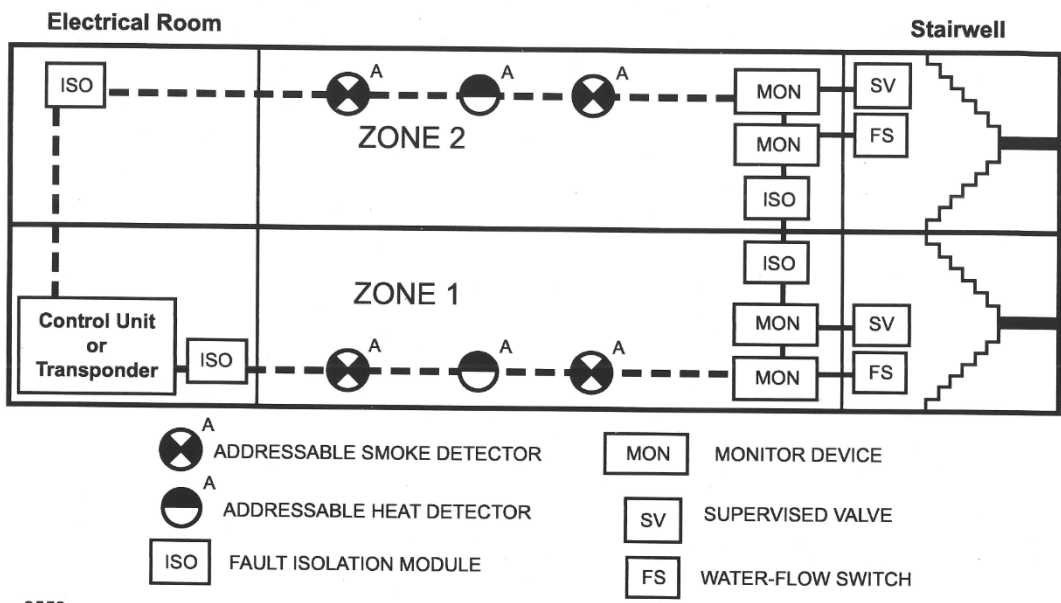


ULC 524:2019 ERRATA!

52.3.13 Supporting field devices not installed in fire protection equipment rooms (e.g., sprinkler and fire pump rooms) and not installed in exit stair shafts shall be installed in the same floor area served by the fire suppression system devices. Refer to Figure 52.2, Example of Supporting Field Devices Serving Fire Suppression System Devices.

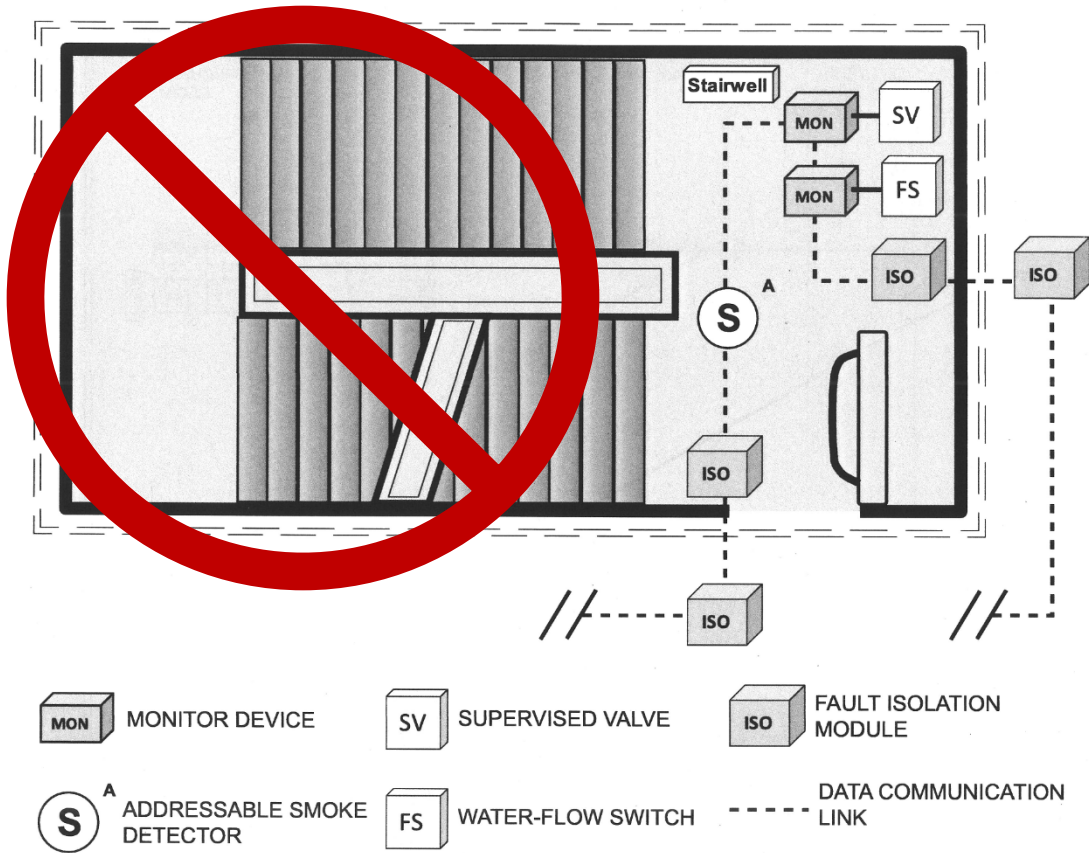
NOTE: Phrase in **RED** is removed in ULC:524:2024.

Figure 52.2
Example of Supporting Field Devices Serving Fire Suppression System Devices



su3553

Figure 18-5
Example of Fault Isolator Serving Multiple Field Devices in an Exit Stair



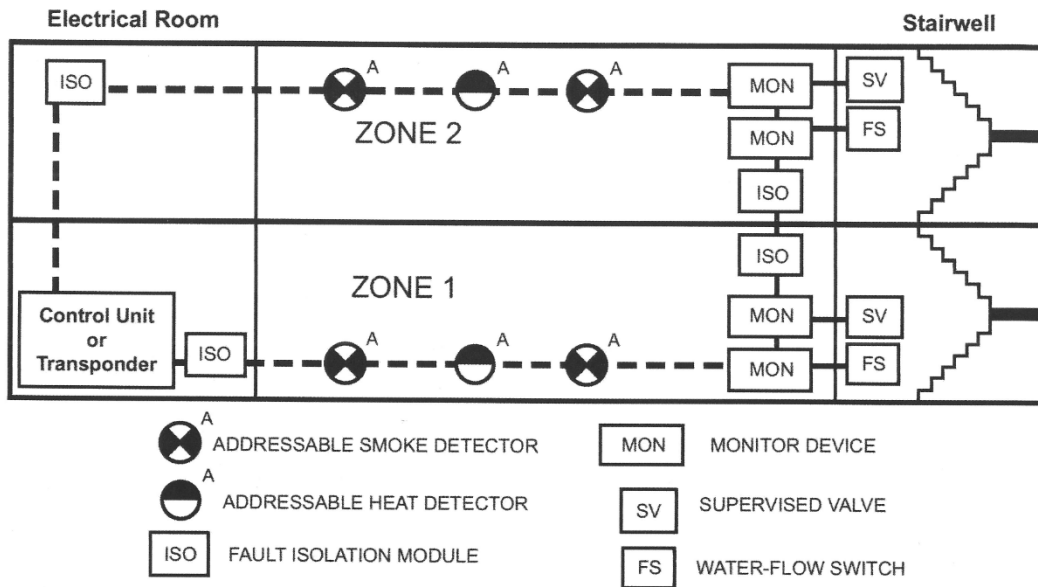
su3556

Corrected Clause in ULC 524:2024

53.3.13 Supporting field devices not installed in fire protection equipment rooms (e.g., sprinkler and fire pump rooms) shall be installed in the same floor area served by the fire suppression system devices. Refer to Figure 53.2, Example of Supporting Field Devices Serving Fire Suppression System Devices.

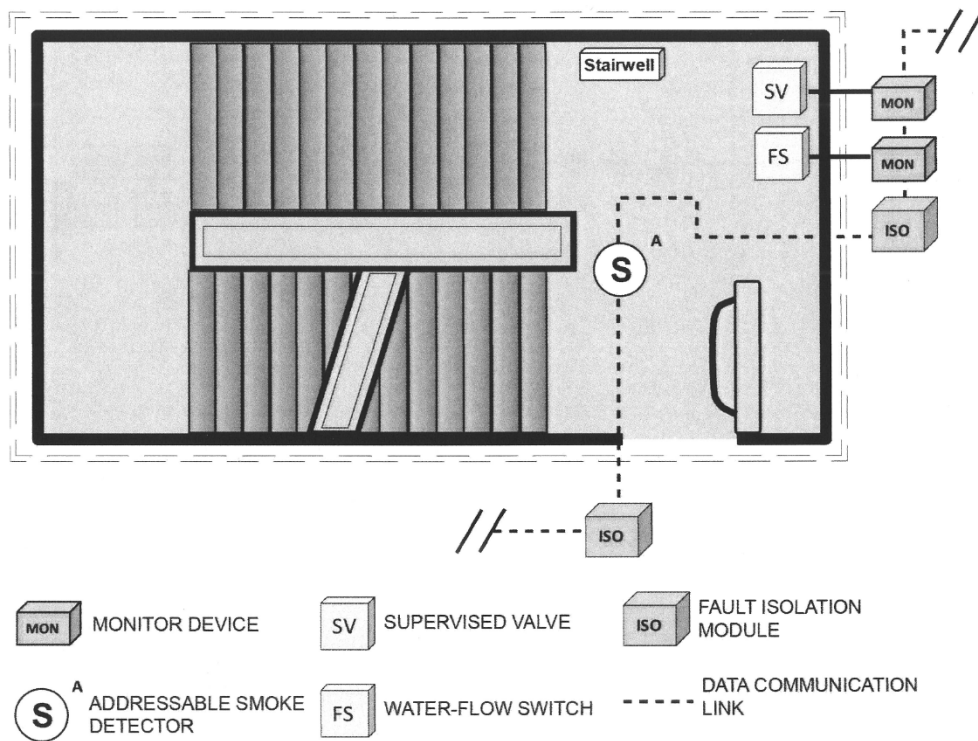
Note: No Change to Figure 53.2 (other than the reference number).

Figure 53.2
Example of Supporting Field Devices Serving Fire Suppression System Devices



Corrected Diagram in ULC 524:2024

Figure A19.5
Example of Fault Isolator Serving Multiple Field Devices in an Exit Stair



su3556a